

# Miro Cube<sup>®</sup> 2 UV365

DESIGNED BY THE BLACK TANK



The Miro Cube 2 UV365 is designed to deliver an incredibly powerful, 365nm, ultraviolet output to create luminous fluorescent effects. The 4-inch (10 cm) cube-shaped UV fixture features a compact form factor that installs simply and discreetly in any indoor location. Miro Cube 2 UV365 is engineered to provide lighting designers and integrators with precise control and simple, reliable performance.

Using a mere 50W of power, the Miro Cube 2 UV365 blacklight produces an astounding 18,000 mW of UV output through an array of 9 UV LEDs. At only 2.1 lbs (0.95 kg), the small and sleek design includes multiple data protocol and wiring options as well as a patented heat-sinking system for a long life.

All of these features make Miro Cube 2 UV365 an excellent choice for themed entertainment, amusement parks, dark rides, nightclubs, casinos, museums, theatrical stages, or any installation that needs voluminous amounts of black light – without large, bulky fixtures.



Project:	Type:
Quantity:	Location:



UV365

## KEY FEATURES

- Nine UV LEDs with a native 31° beam spread and 365nm peak wavelength.
- Multiple control options, including a simple LCD user interface, RDM compatible DMX and 0-10VDC.
- Controllable via Bluetooth with a mobile device using the myMIX<sup>®</sup> Connect accessory and the myMIX<sup>®</sup> App.
- Flicker-free dimming via 16kHz PWM in 8- or 16-bit resolution, or NO PWM mode.
- Barn Doors, Egg Crate Louver, and Top Hat accessories are available for glare control.
- Specifiable wiring & connectors: Hardwired pigtail with RJ45 data connection (RJ45) or Neutrik Powercon with 5-pin XLR connectors (Classic).

# Miro Cube<sup>®</sup> 2 UV365

DESIGNED BY THE BLACK TANK



## SPECIFICATIONS

Input Voltage:	90-240VAC 50/60H
Power Consumption:	50W
Lumen Maintenance:	72,600 hours at L80 at 45°C
Operating Temp.:	-13° to 113°F (-20° to 45° C)
Humidity:	0-95% non-condensing
Dimensions (without yoke):	4.3 in x 4.3 in x 4.9 in (109mm x 109mm x 125mm)
Dimensions (with yoke):	4.3 in x 6.1 in x 4.9 in (109mm x 155mm x 125mm)
Weight:	2.1 lbs (0.95 kg)
Housing:	Powder coated, die-cast aluminum
Approvals:	cETL, ETL, CE, UKCA, FCC Class A Compliant; Dry Locations
IP Rating:	IP20
Finish:	Black



## UV365 LED Source Specifications

Max Radiant Power:	18,000mW
Peak Wavelength Output:	365nm
DMX Channels:	1

## Data, Wiring, and Connector Specification

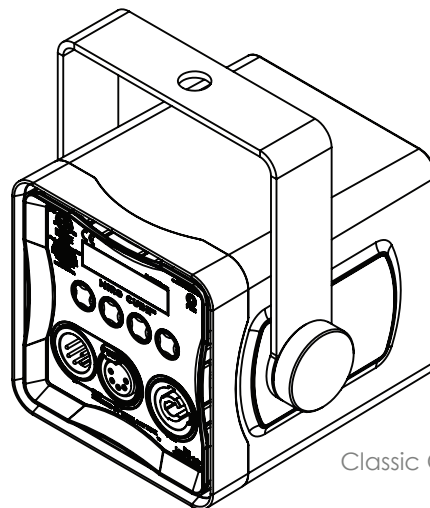
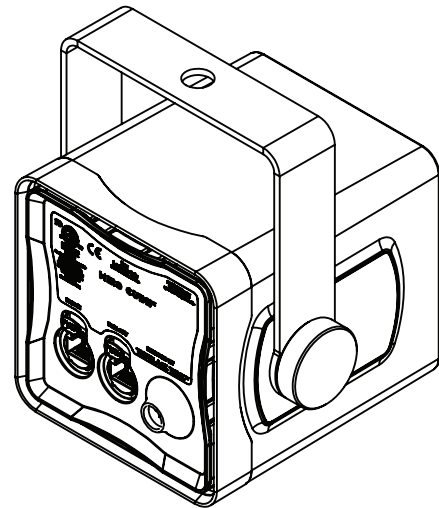
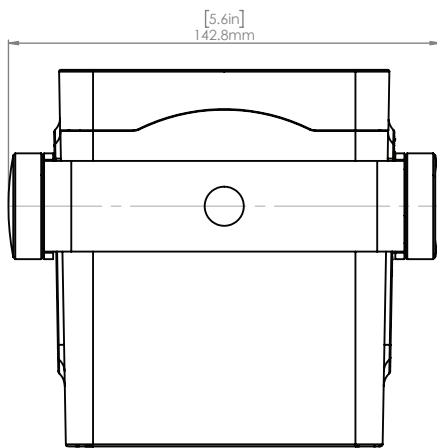
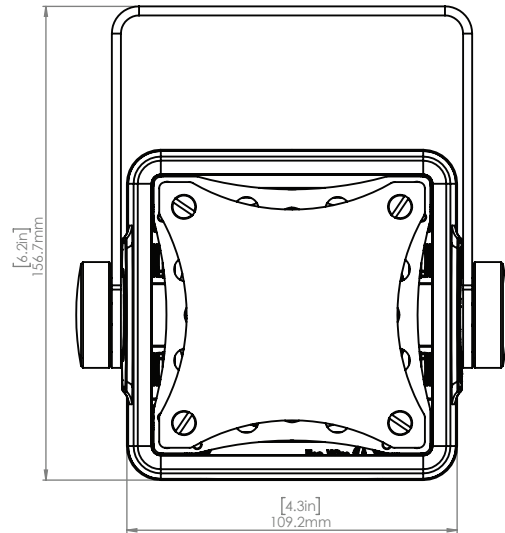
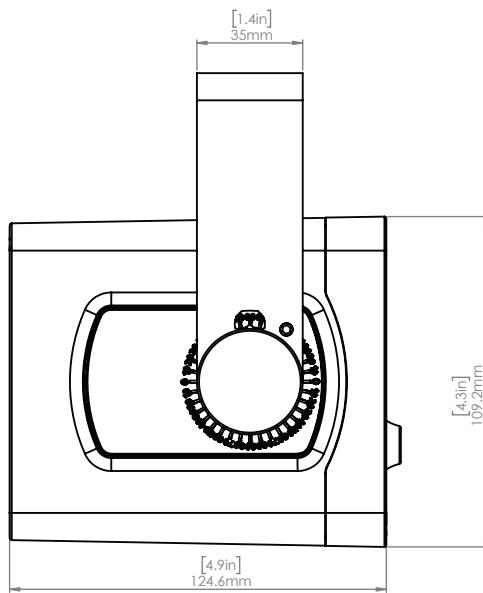
SPECIFICATION	RJ45	CLASSIC
Power Input:	Hard-wired pigtail (user end unterminated), 6 feet/1.82 meters	Neutrik Powercon input, 6.56 feet/2 meters
Data Connector:	RJ45 In/Out Connectors	5-Pin XLR In/Out Connectors
Data/Control:	DMX/RDM or 0-10V Dimmable	DMX/RDM and Full Text LCD screen user-interface
myMIX Connect Compatible:	Yes	No

# Miro Cube<sup>®</sup> 2 UV365

DESIGNED BY THE BLACK TANK



## DIMENSIONS/DRAWINGS



Classic Conversion

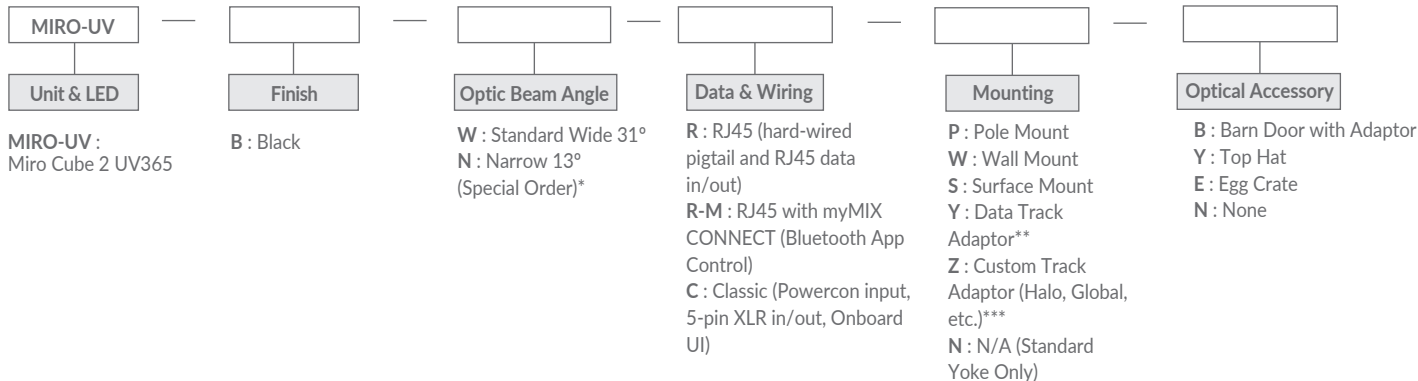
# Miro Cube<sup>®</sup> 2 UV365

DESIGNED BY THE BLACK TANK



## MIRO CUBE 2 SPECIFICATION ORDER CODES

Use these codes to specify your fixture type.



### EXAMPLE:

Miro-UV - B - W - C - S - B

ie. MIRO-UV-BWCSB =

Miro Cube 2 UV365 fixture in a black finish, standard wide optic, with Powercon input & cable, 5-pin XLR in/out, and onboard UI, surface mount accessory, and black barn doors.

### Notes

\*Narrow optic is available by special order only and is subject to longer lead times.

\*\*Rosco provided Data Track Adaptor and track system are supplied from Stucchi ONETRACK UL. Contact [Project.Management@rosco.com](mailto:Project.Management@rosco.com) to order track system.

\*\*\*Not available for all styles of track

Name: \_\_\_\_\_ Date: \_\_\_\_\_

Company Name: \_\_\_\_\_

Project: \_\_\_\_\_

# Miro Cube® 2 UV365

DESIGNED BY THE BLACK TANK



## Miro Cube® 2 Accessories

Item Code	Description
515800000046	myMIX Connect
515800000045	Miro Cube 2 Egg Crate Louver - Black
515800000042	Miro Cube 2 Top Hat - White
515800000041	Miro Cube 2 Top Hat - Black
515800000040	Miro Cube 2 Barn Doors - White
515800000039	Miro Cube 2 Barn Doors - Black
515911110006	Miro Cube 2 Barn Doors Adaptor - Black
296000005107	Rosco Surface Mount Accessory - White
296000005106	Rosco Surface Mount Accessory - Black
296000005105	Rosco Wall Mount Accessory - White
296000005104	Rosco Wall Mount Accessory - Black
296000005103	24" Stainless Steel Strap Rosco Pole Mount Kit - 3-Pack
296000005102	Rosco Pole Mount Accessory - White
296000005101	Rosco Pole Mount Accessory - Black
292000808602	DMX 5-Pin Female to RJ45
292000808601	DMX 5-Pin Male to RJ45
515910150001	Miro Cube Powercon cord with Edison
525911160023	Miro Cube 2 Classic 2 Circuits Stucchi Track Adaptor - Black
525911160022	Miro Cube 2 Classic 2 Circuits Stucchi Track Adaptor - White
525911160021	Miro Cube 2 RJ45 2 Circuits Stucchi Track Adaptor - Black
525911160020	Miro Cube 2 RJ45 2 Circuits Stucchi Track Adaptor - White
525911160044	Miro Cube 2 Classic 3 Circuits Stucchi Track Adaptor - Black
525911160034	Miro Cube 2 Classic 3 Circuits Stucchi Track Adaptor - White
525911160043	Miro Cube 2 RJ45 3 Circuits Stucchi Track Adaptor - Black
525911160033	Miro Cube 2 RJ45 3 Circuits Stucchi Track Adaptor - White

# Miro Cube<sup>®</sup> 2 UV365

DESIGNED BY THE BLACK TANK



## PHOTOMETRICS

