

Brilliant Imaging.

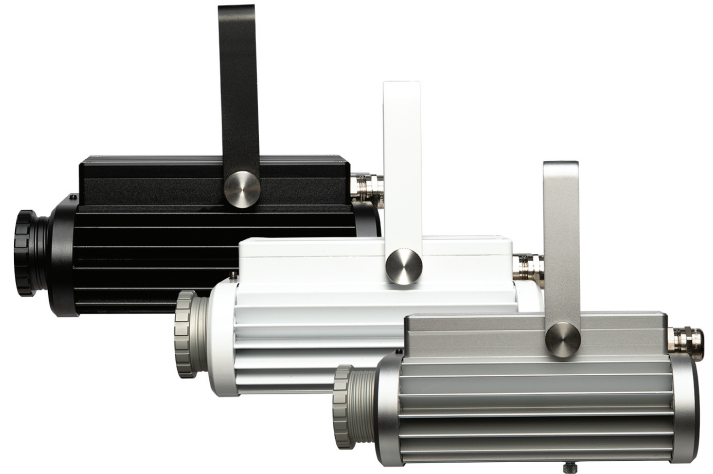
Crystal clear optics allow you to project vivid images and messaging up to 40 ft. (12m) away! Using a mere 40W of power, the Image Spot LED projector packs an amazing amount of light output from a versatile and compact design.

The cool white or warm white LEDs ensure bright imaging in virtually any environment. An available filter kit allows the Image Spot to be used to illuminate subjects in museums, themed entertainment and hospitality venues.



Image Spot™ HT

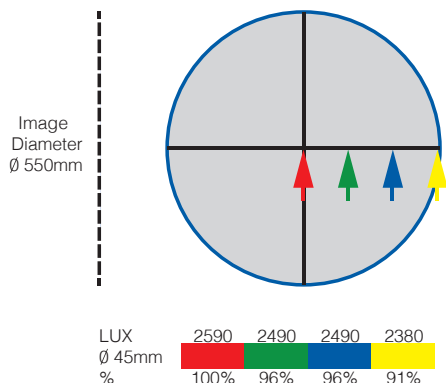
Project:	Type:
Quantity:	Location:



KEY FEATURES

- 40W LED array with 10°, 19°, 25° or 30° beam optics provide superb image uniformity and fringe-free shadows
- IP65 rating for outdoor or indoor use and HT (High Temperature) variant for high ambient temperature environments
- Accepts Rosco Image Spot Gobos and Permacolor Dichroic Glass Color Filters
- Available OPTI-FLECS filter packs for beam diffusion
- Accepts universal line voltage input allowing operation anywhere around the globe
- DMX512 compatibility provides flicker-free dimming throughout the range: 100% ~ 0%
- 0-10V, DMX, DALI & Push to DIM dimming options
- Passive cooling means operation is completely silent
- Standard Color Options: Black, White and Silver

Superior Uniformity Across Entire Field



SPECIFICATIONS

Input Voltage:	100-277VAC (V1:100-240VAC)
Power Consumption:	40 Watts at maximum output
Color Temp. Options:	5500K or 3000K or UV
CRI:	5500K Model: 80 3000K Model: 95
LED Source Output:	5500K Model: 3000 lumens 3000K Model: 1800 lumens
Lumen Maintenance:	50,000 hours at 45°C (LM-79-08)
Power Connection:	6.5 ft (2m) hybrid power/data cable (IP65) (hard-wired to fixture/unterminated user-end)
Data:	DMX512, 0-10V, DALI, Push DIM Options In and thru, hybrid power & data cable (IP65)
DMX Addressing:	RDM functionality available for addressing
Dimensions:	Image Spot (including yoke): 7.8 in x 4.8 in x 6.8 in (198mm x 123mm x 172mm) Image Spot HT (including yoke): 9.3 in x 4.8 in x 6.8 in (236mm x 123mm x 172mm)
Weight:	Image Spot: 5.5 lbs (2.5 kg) Image Spot HT: 5.9 lbs (2.7 kg)
Operating Temp.:	Image Spot: -13° to 104° F (-25° to 40° C) Image Spot HT: -13° to 122° F (-25° to 50° C)
Humidity:	0 - 95% non-condensing
Cooling:	Passive heat sink
Housing:	Anodized Aluminum Extrusion
Approvals:	ETL / UL Standards #62368-1 and #60950-22 cETL / CSA C22.2 #62368-1 and #6095-22 CE IP65 Rated (outdoor or indoor use)

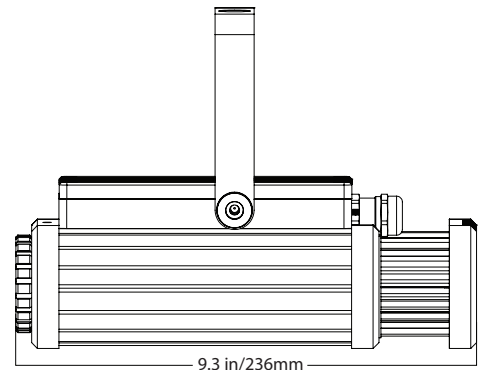
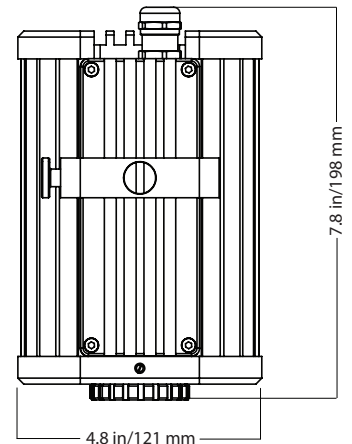
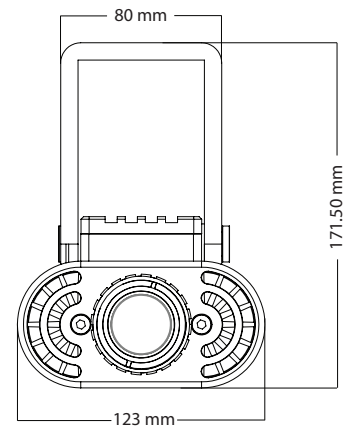
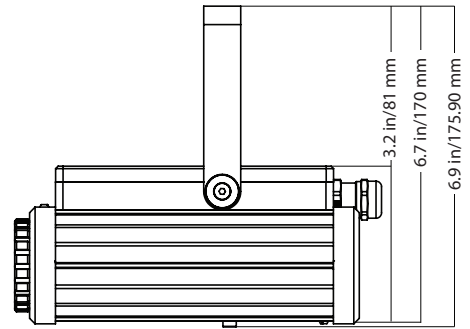


Image Spot® HT



SPECIFICATION ORDER CODES

UNIT	CCT	Finish	Data Transfer	Mounting	Lens	Optional Accessory
Image Spot Image Spot HT	3 - 3000K 5 - 5500K U - UV O - Custom*	B - Black W - White S - Silver C - Custom RAL	0 - 0/10V, No Connector 1 - DMX/RDM, No Connector 2 - DALI, No Connector 3 - Push to DIM, No Connector	F - Full Yoke Y - Track Mount** L - Floor Mount W - Wall Mount C - Ceiling Mount P - Pole Mount N - N/A	T - 10 degree 1 - 19 degree 2 - 25 degree 3 - 30 degree N - No Lens	K - Lens Cover Kit N - N/A

Example:

Image Spot — 3 — B — 1 — F — T — N

ie. Image Spot ST-3B1FTN =

Image Spot, 3000K CCT, Black, DMX/RDM, No Connector, Full Yoke, 10 degree Lens, with no additional accessories.

*Custom color temperature available with minimum order quantity, price difference and longer lead time. For more information please contact Project.Management@rosco.com

**Image Spot Track Mount adapter is from Stucchi ONETRACK UL track system. Contact Project.Management@rosco.com to specify additional track system components if required.

Name: _____ Date: _____

Company Name: _____

Project: _____

Image Spot® Accessories	
Item Code	Description
296 00001 0013	Image Spot OPTI-FLECS Filter Pack
296 00001 0052	Image Spot Lens Cover Kit
296 00001 0012	Image Spot Safety Cable, 3ft (1m)
296 00000 5001	Rosco Pole Mount Accessory - Black
296 00000 5002	Rosco Pole Mount Accessory - White
296 00000 5003	24" Stainless Steel Strap Rosco Pole Mount Kit - 3-Pack
296 00000 5004	Rosco Wall Mount Accessory - Black
296 00000 5005	Rosco Wall Mount Accessory - White

Image Spot Gobos & Permacolor Filters

For optimum image quality and performance, use Rosco Image Spot Gobos and Permacolor Filters, which feature custom bezels that enable a secure fit inside the Image Spot gobo cassette.

Image Spot® Gobos	
Item Code	Description
Standard Gobos	
XXXXX-SPOT	Image Spot Standard Gobo XXXXX = The five digit standard gobo number
Custom Gobos	
250 7210I SPOT	Image Spot Custom Steel Gobo
260 CUSBW OSPO	Image Spot Custom B&W Glass Gobo
260 CUS1C OSPO	Image Spot Custom One-Color Glass Gobo
260 CUS2C OSPO	Image Spot Custom Two-Color Glass Gobo
260 CUSMC OSPO	Image Spot Custom Multi-Color Glass Gobo

Permacolor™ Dichroic Filters	
Item Code	Description
1203 XXXX SPOT	Image Spot Permacolor Dichroic Glass Filter XXXX = the four digit color number (includes bezel to fit inside gobo cassette)